

CHEMISTRY THAT MATTERS™



SABIC TECHNICAL MEETING 2025

ADVANCED TECHNOLOGIES FOR SUSTAINABLE FUTURE



PARTICIPATION FEES

Participation Class	Class A+	Class A		Class B	Class C	HEAVY OUTDOOR MACHINERY	Smart Zone
Participation Fees	3,500 SR/SQM	3,000 SR/SQM		2,500 SAR/SQM	2,000 SAR/SQM	500 SAR/SQM	60,000 SAR/10 SQM
Booth Setup Category	Special Decoration	72 SQM Special Decoration	Less than 72 SQM Modular Design	Modular Design	Modular Design	Modular Design	Digital Booth Design
Booth Setup Price	As per design	As per design	750 SAR /SQM	750 SAR/SQM	750 SAR/SQM	750 SAR/SQM	Included

Please note that reserved bookings will be held for up to one week pending receipt of the signed contract and full payment.

15% VAT Excluded 

DESIGN SPECIFICATIONS

CATEGORY A/1: 51 SQM



SPACE
51 SQM



WALLS
2x Back Walls
1x Side Wall



AV EQUIPMENT
1x LED Screen 75"



FLOORING
Beige and Brown Carpet



FURNITURE
3x Closed Counter Desk
3x Bar Stools | 3x Chairs
1x Sofa Set | 1x Round Table
1x Coffee Table | 1x Trash Bin



LIGHTING
Spotlights



FASCIA
Lightbox

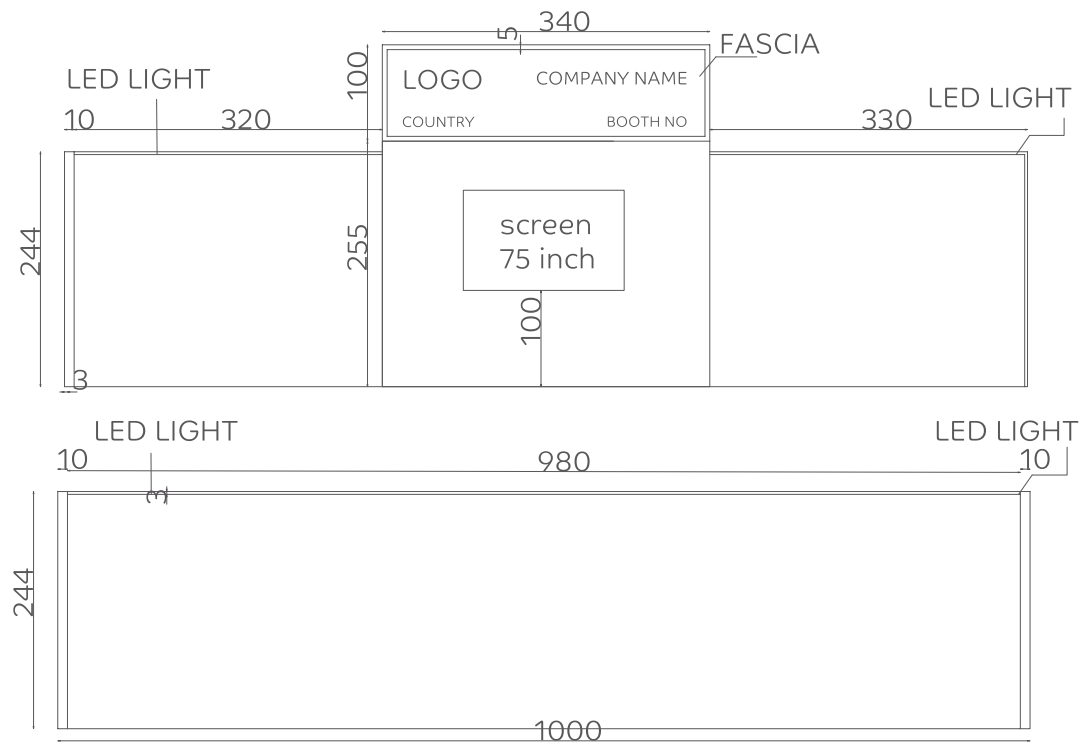


ELECTRICAL SOCKET
1x Electrical Socket
(16 amps/single phase)

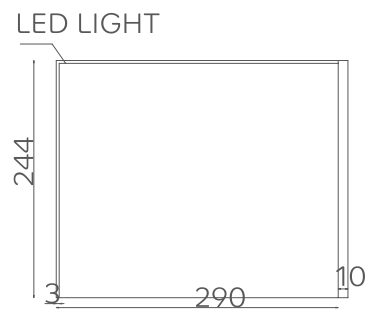


CATEGORY A/1 MODULAR DESIGN

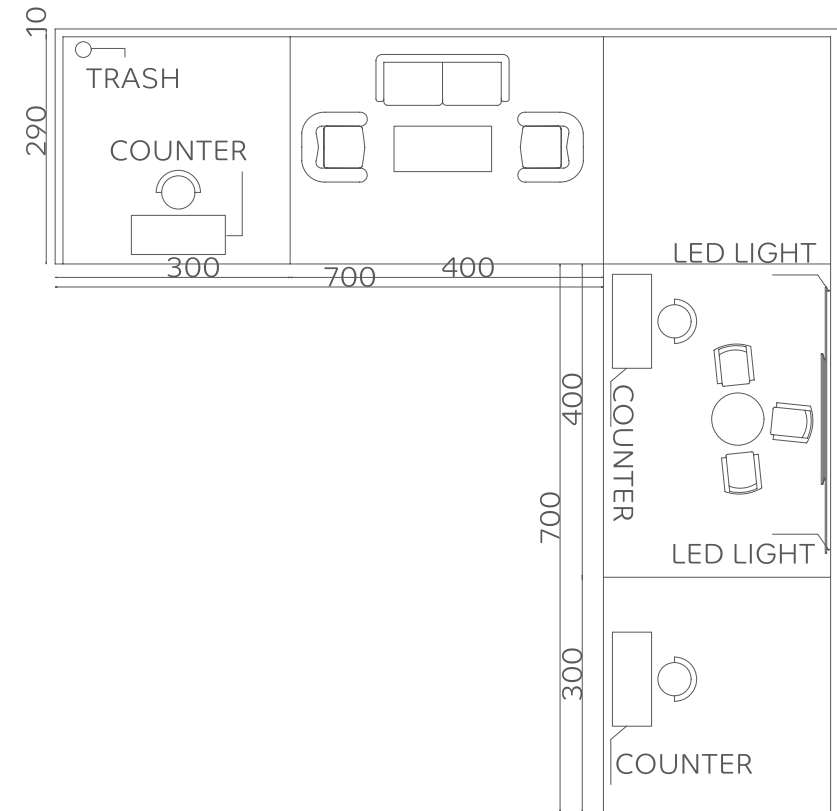
MODULAR DESIGN 51 SQM



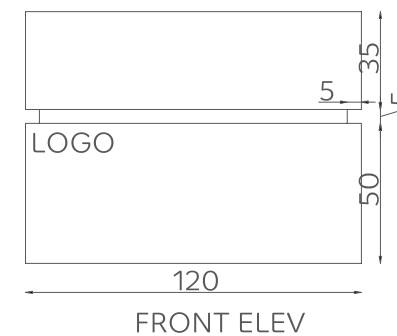
FRONT END



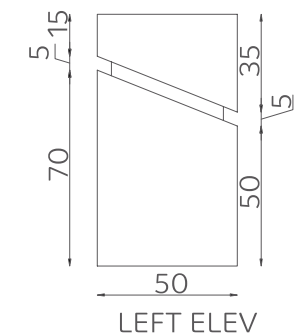
SIDE INTERFACE



TOP VIEW



FRONT ELEV



LEFT ELEV

COUNTER

DESIGN SPECIFICATIONS

CATEGORY A/2: 51 SQM



SPACE
51 SQM



WALLS
2x Back Walls
2x Side Walls



AV EQUIPMENT
1x LED Screen 75"



FLOORING
Beige and Brown Carpet



FURNITURE
3x Closed Counter Desk
3x Bar Stools | 3x Chairs
1x Sofa Set | 1x Round Table
1x Coffee Table | 1x Trash Bin



LIGHTING
Spotlights



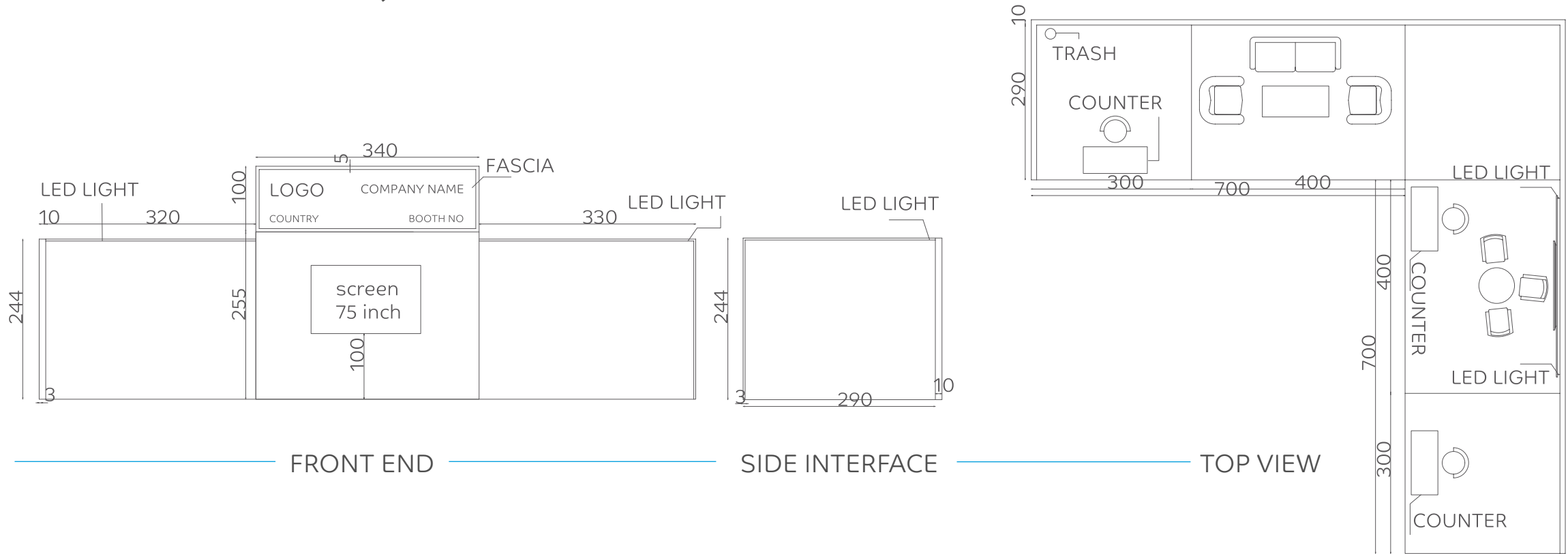
FASCIA
Lightbox



ELECTRICAL SOCKET
1x Electrical Socket
(16 amps/single phase)

CATEGORY A/2 MODULAR DESIGN

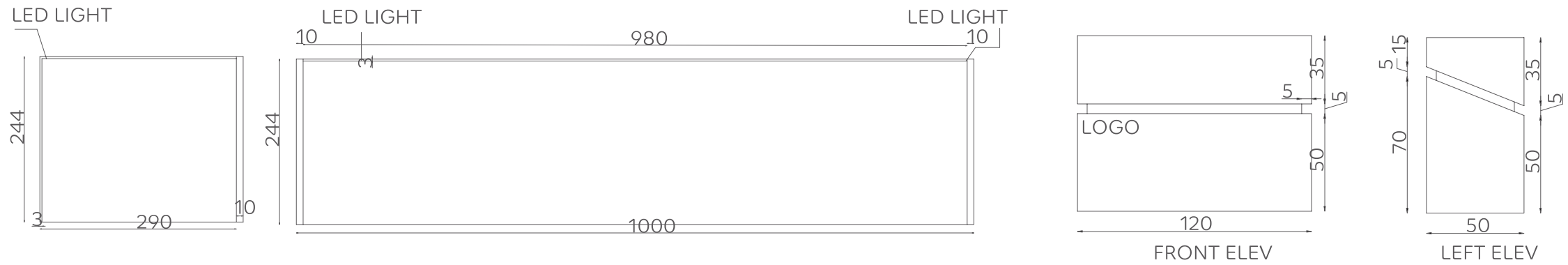
MODULAR DESIGN 51 SQM



FRONT END

SIDE INTERFACE

TOP VIEW



SIDE INTERFACE

FRONT END

FRONT ELEV

LEFT ELEV

COUNTER

DESIGN SPECIFICATIONS

CATEGORY B: 16X3 SQM



SPACE
16X3 SQM



WALL
1x Back Wall



AV EQUIPMENT
1x LED Screen 75"



FLOORING
Beige and Brown Carpet



FURNITURE
3x Closed Counter Desk
3x Bar Stools | 3x Chairs
1x Sofa Set | 1x Round Table
1x Coffee Table | 1x Trash Bin



LIGHTING
Spotlights



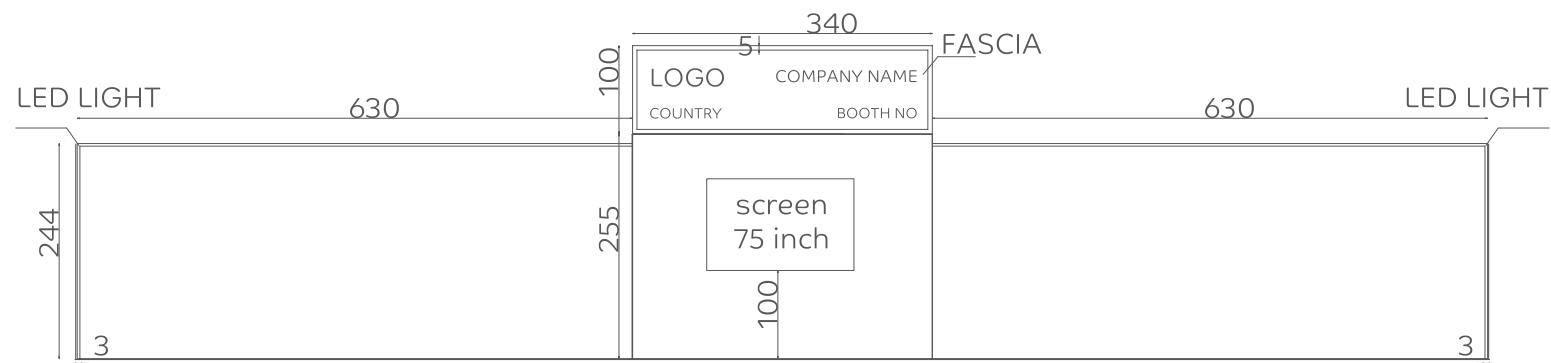
FASCIA
Lightbox



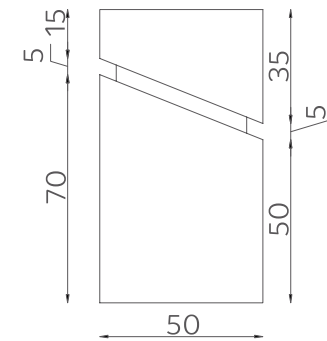
ELECTRICAL SOCKET
1x Electrical Socket
(16 amps/single phase)

CATEGORY B MODULAR DESIGN

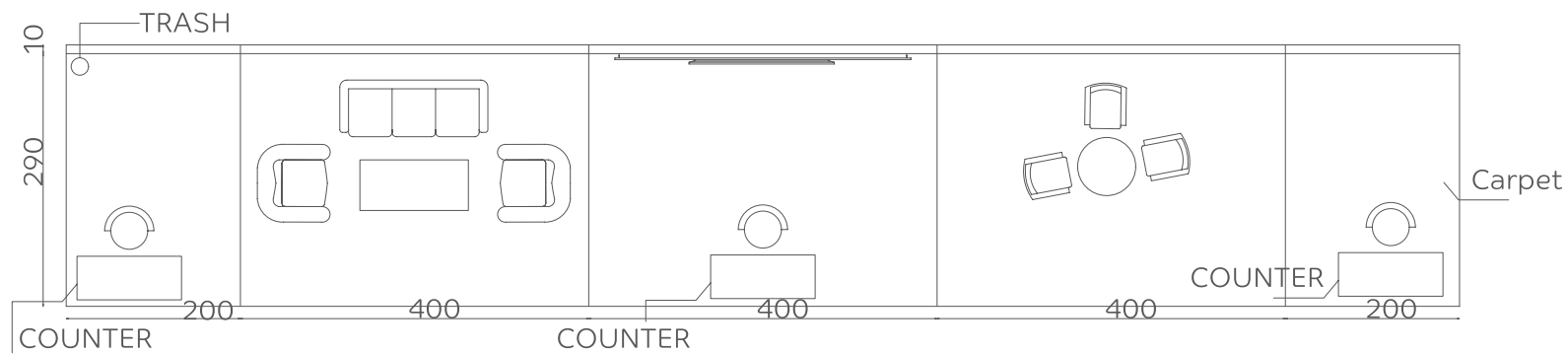
MODULAR DESIGN 16X3



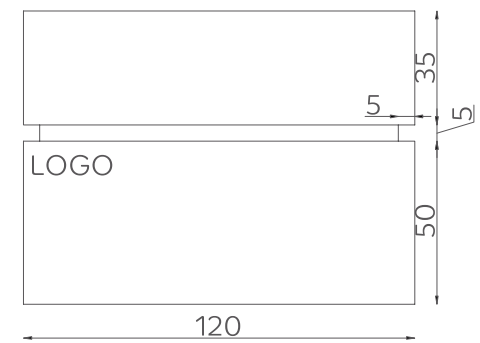
FRONT END



LEFT ELEV



TOP VIEW

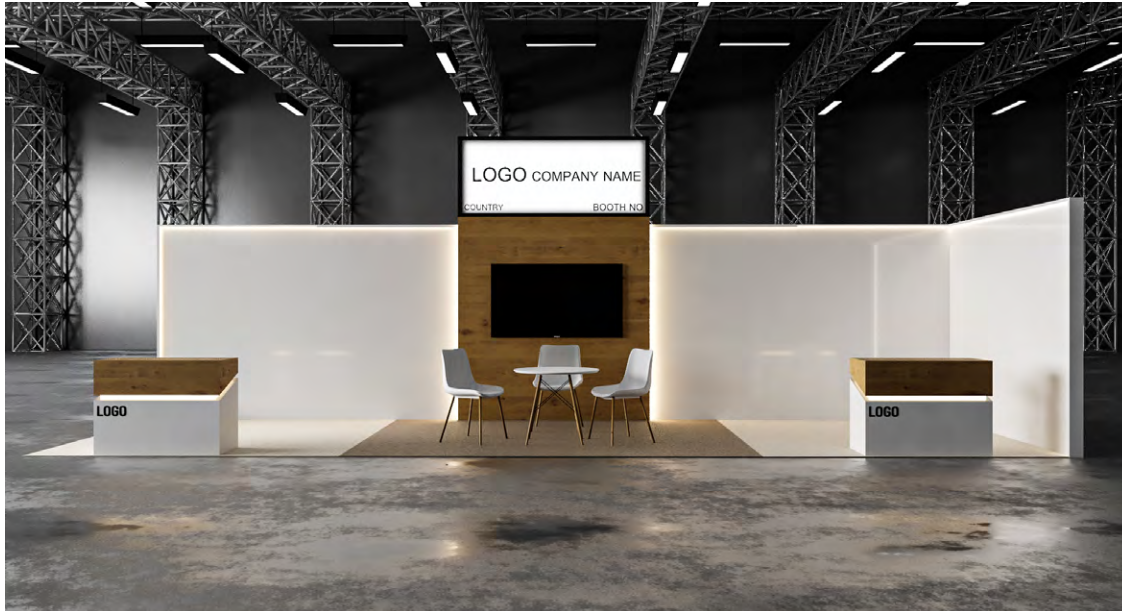


FRONT ELEV

COUNTER

DESIGN SPECIFICATIONS

CATEGORY C: 10X3 SQM



SPACE
10x3 SQM



WALLS
1x Back Wall
1x Side Wall



AV EQUIPMENT
1x LED Screen 65"



FLOORING
Beige and Brown Carpet



FURNITURE
2x Closed Counter Desk
2x Bar Stools | 1x Round Table
3x Chairs | 1x Trash Bin



LIGHTING
Spotlights



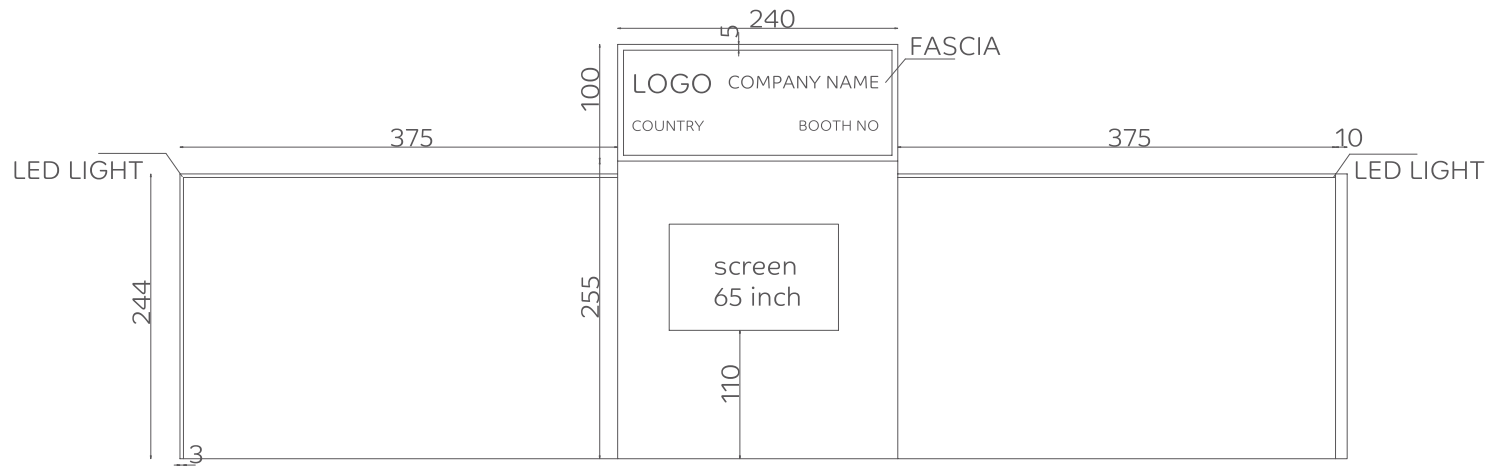
FASCIA
Lightbox



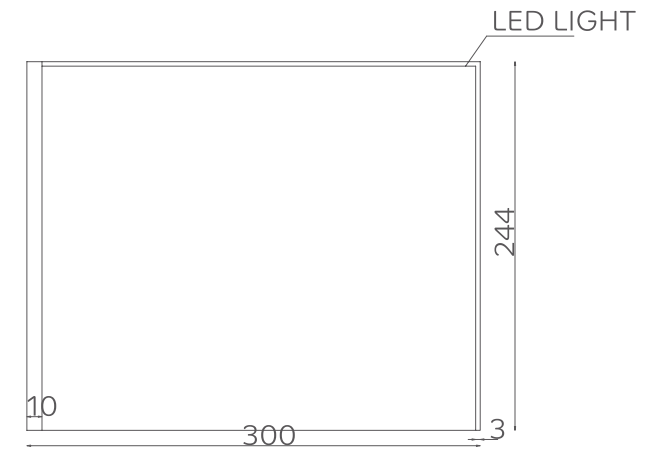
ELECTRICAL SOCKET
1x Electrical Socket
(16 amps/single phase)

CATEGORY C MODULAR DESIGN

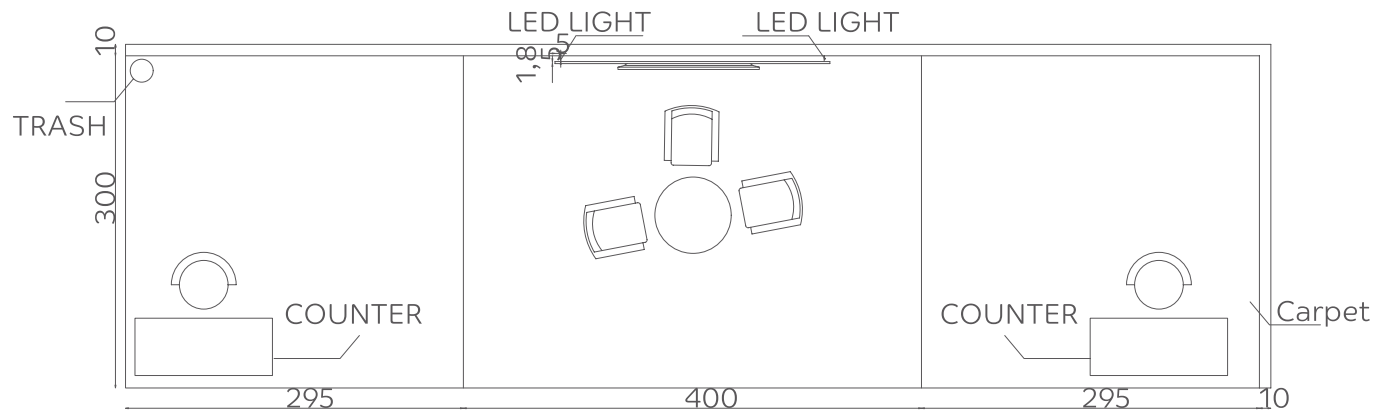
MODULAR DESIGN 10X3



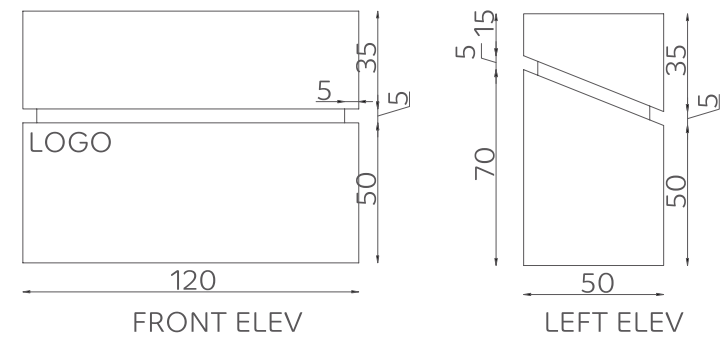
FRONT END



SIDE INTERFACE



TOP VIEW



COUNTER

DESIGN SPECIFICATIONS

CATEGORY D: 6X6 SQM



SPACE
6x6 SQM



WALL
1x Back Wall



AV EQUIPMENT
1x LED Screen 65"



FLOORING
Beige and Brown Carpet



FURNITURE
3x Closed Counter Desk
3x Bar Stools | 1x Round Table
4x Chairs | 1x Trash Bin



LIGHTING
Spotlights



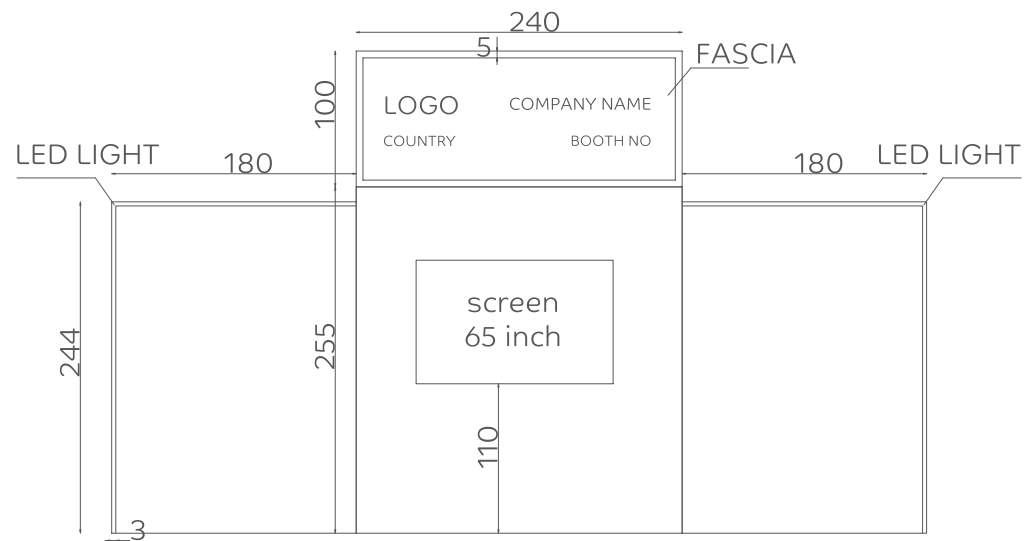
FASCIA
Lightbox



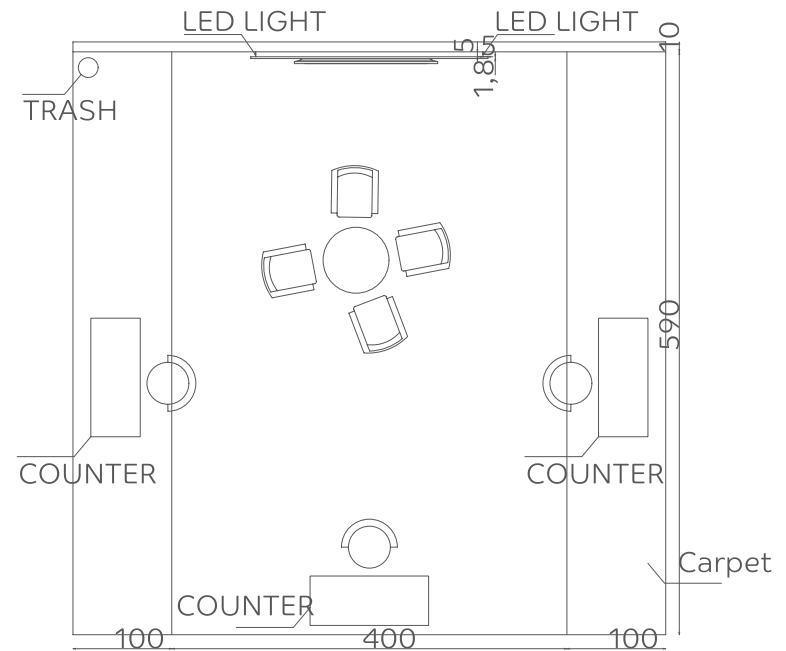
ELECTRICAL SOCKET
1x Electrical Socket
(16 amps/single phase)

CATEGORY D MODULAR DESIGN

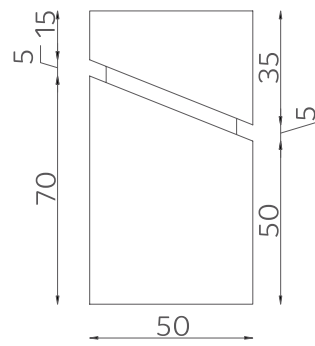
MODULAR DESIGN 6X6



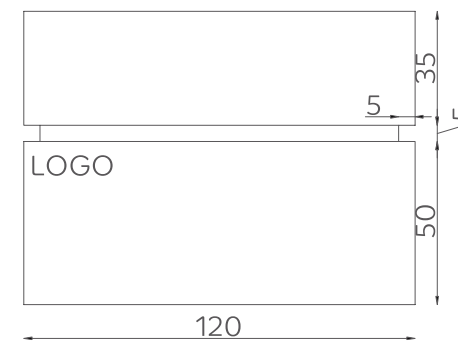
FRONT END



TOP VIEW



LEFT ELEV



FRONT ELEV

COUNTER

DESIGN SPECIFICATIONS

CATEGORY E: 7X3 SQM



SPACE
7x3 SQM



WALLS
1x Back Wall
1x Side Wall



AV EQUIPMENT
1x LED Screen 55"



FLOORING
Beige and Brown Carpet



FURNITURE
1x Closed Counter Desk
5x Bar Stools | 1x Trash Bin
1x Bar Table



LIGHTING
Spotlights



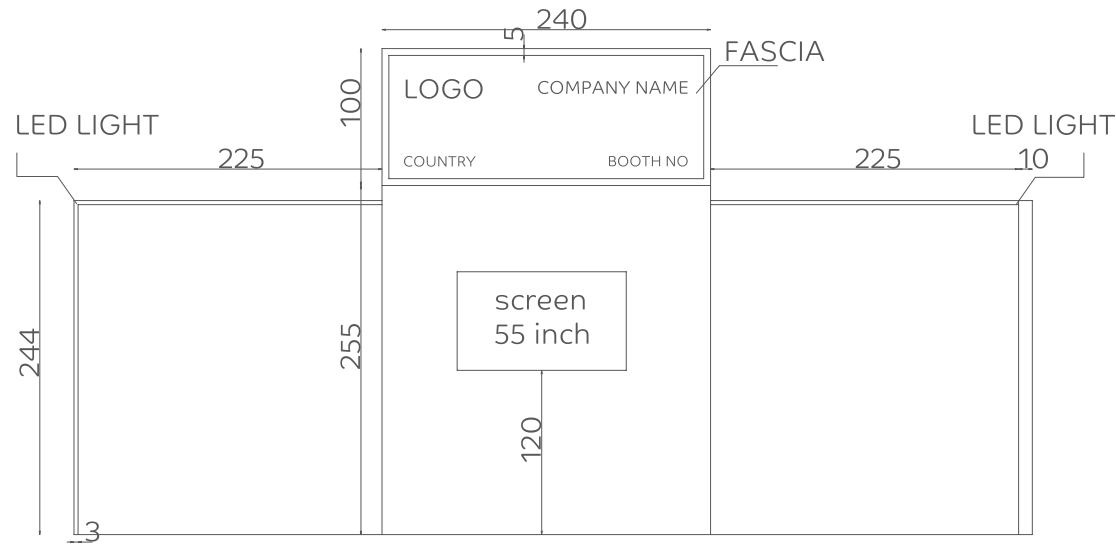
FASCIA
Lightbox



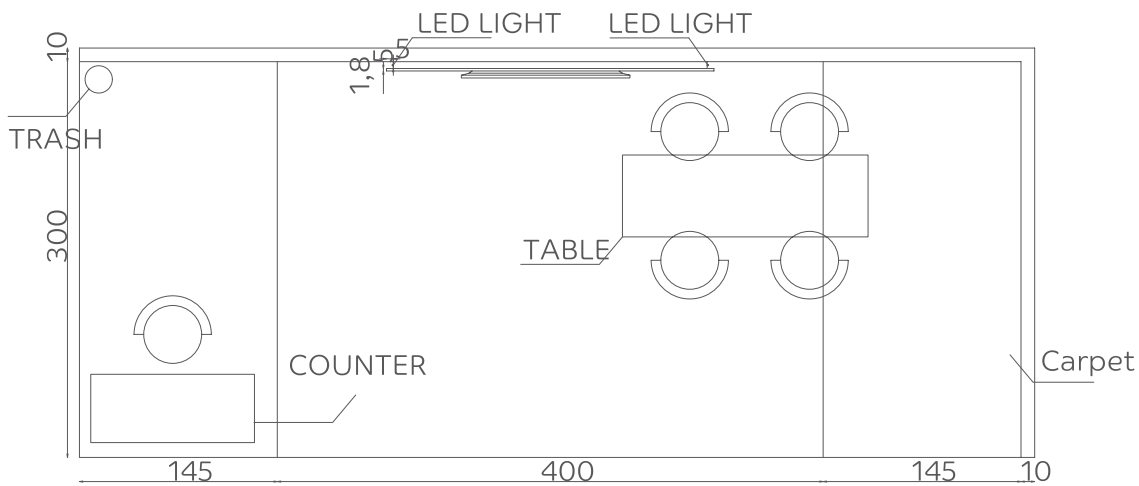
ELECTRICAL SOCKET
1x Electrical Socket
(16 amps/single phase)

CATEGORY E MODULAR DESIGN

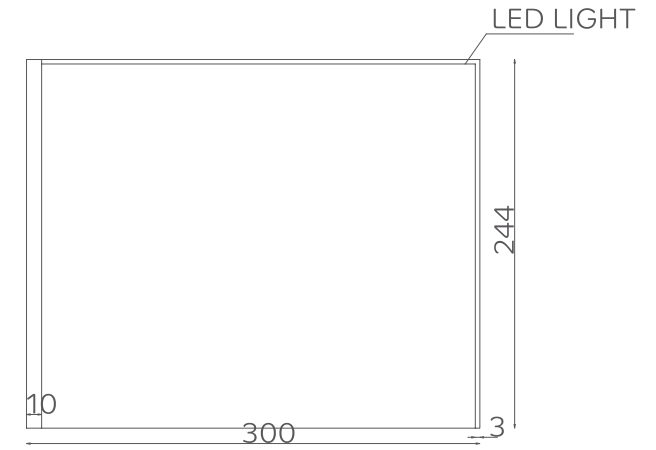
MODULAR DESIGN 7X3



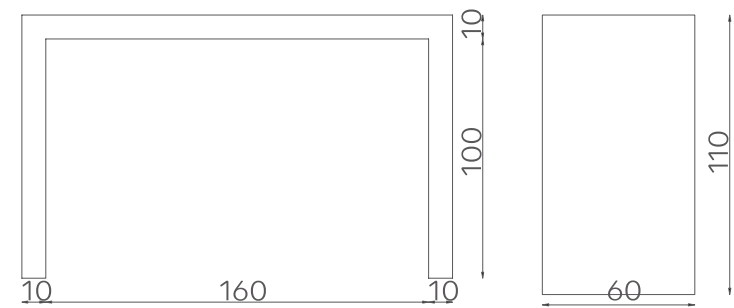
FRONT END



TOP VIEW



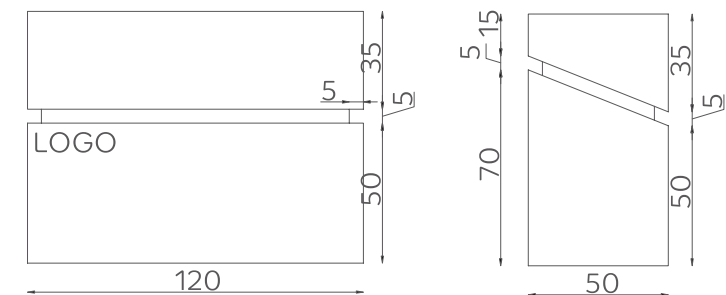
SIDE INTERFACE



FRONT ELEV

LEFT ELEV

TABLE



FRONT ELEV

LEFT ELEV

COUNTER

DESIGN SPECIFICATIONS

CATEGORY F/1: 6X3 SQM



SPACE
6x3 SQM



WALLS
1x Back Wall
1x Side Wall



AV EQUIPMENT
1x LED Screen 55"



FLOORING
Beige and Brown Carpet



FURNITURE
1x Closed Counter Desk
1x Bar Table | 1x Trash Bin
5x Bar Stools



LIGHTING
Spotlights



FASCIA
Lightbox

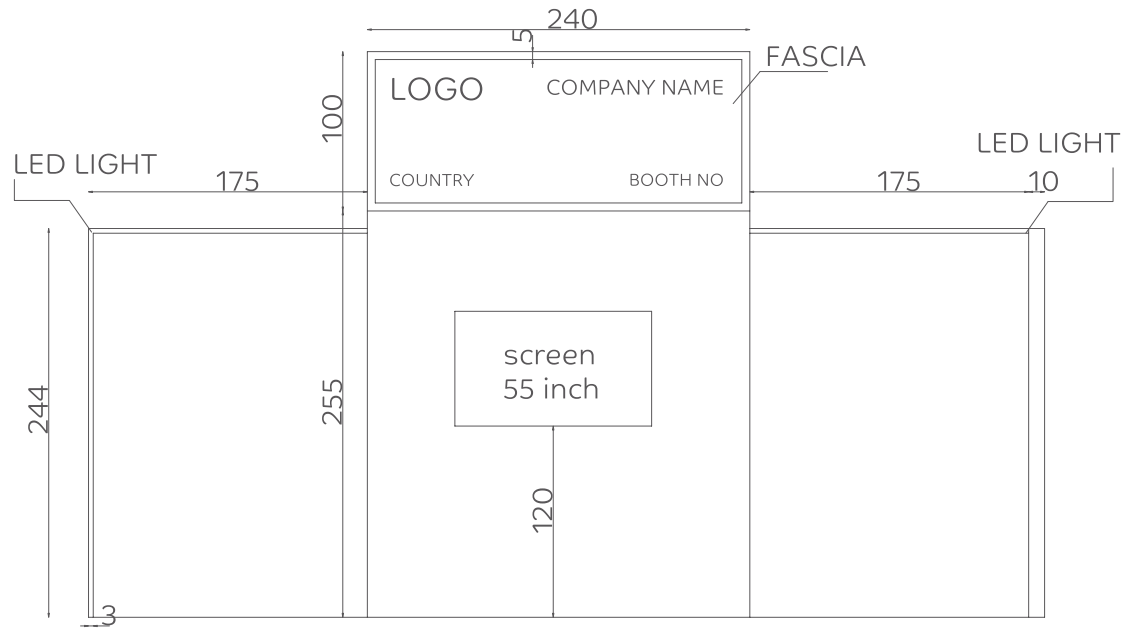


ELECTRICAL SOCKET
1x Electrical Socket
(16 amps/single phase)

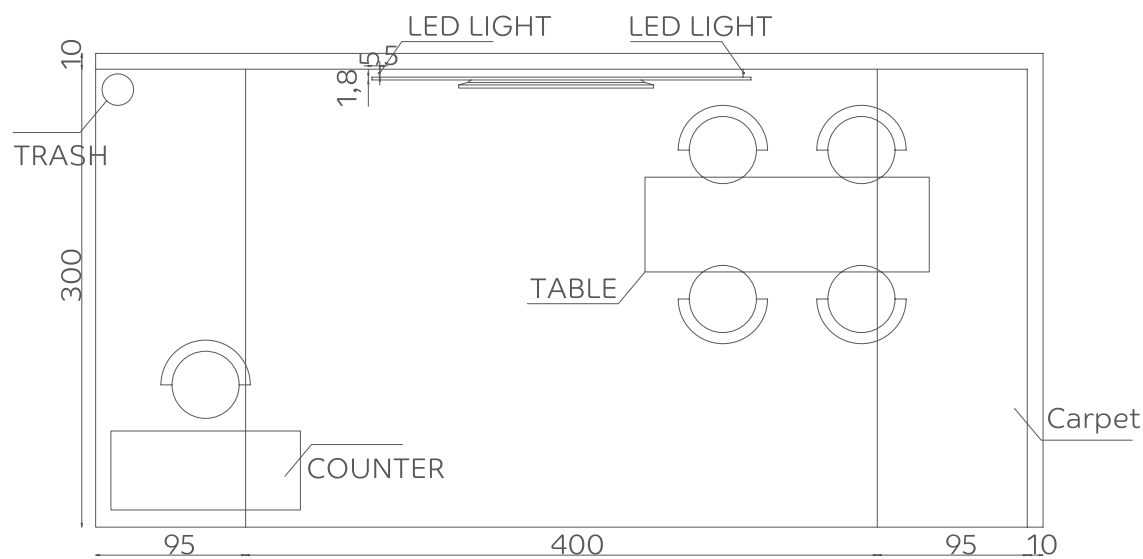


CATEGORY F/1 MODULAR DESIGN

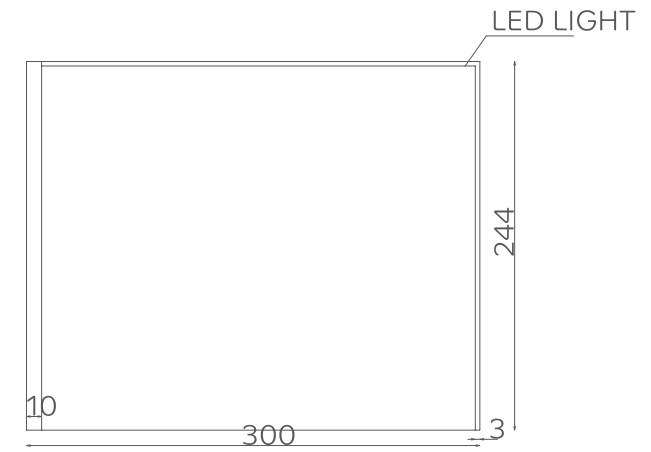
MODULAR DESIGN 6X3



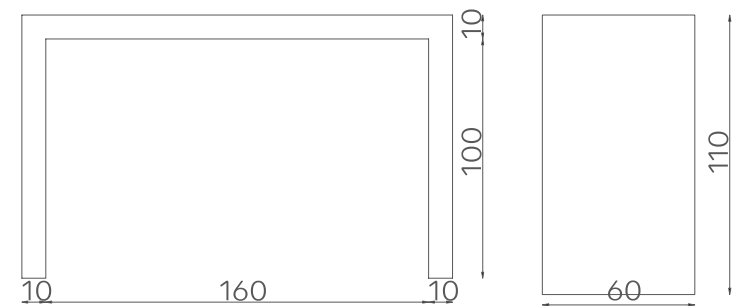
FRONT END



TOP VIEW



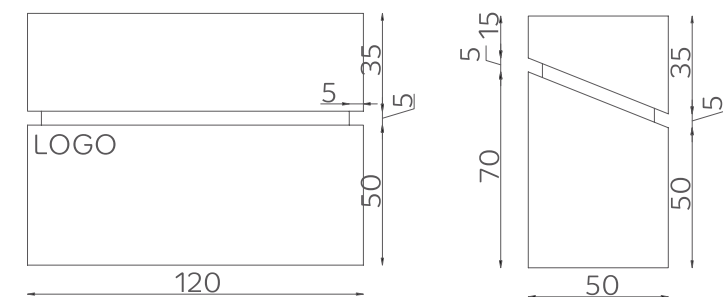
SIDE INTERFACE



FRONT ELEV

LEFT ELEV

TABLE



FRONT ELEV

LEFT ELEV

COUNTER

DESIGN SPECIFICATIONS

CATEGORY F/2: 6X3 SQM



SPACE
6x3 SQM



WALL
1x Back Wall



AV EQUIPMENT
1x LED Screen 55"



FLOORING
Beige and Brown Carpet



FURNITURE
1x Closed Counter Desk
1x Bar Table | 1x Trash Bin
5x Bar Stools



LIGHTING
Spotlights



FASCIA
Lightbox

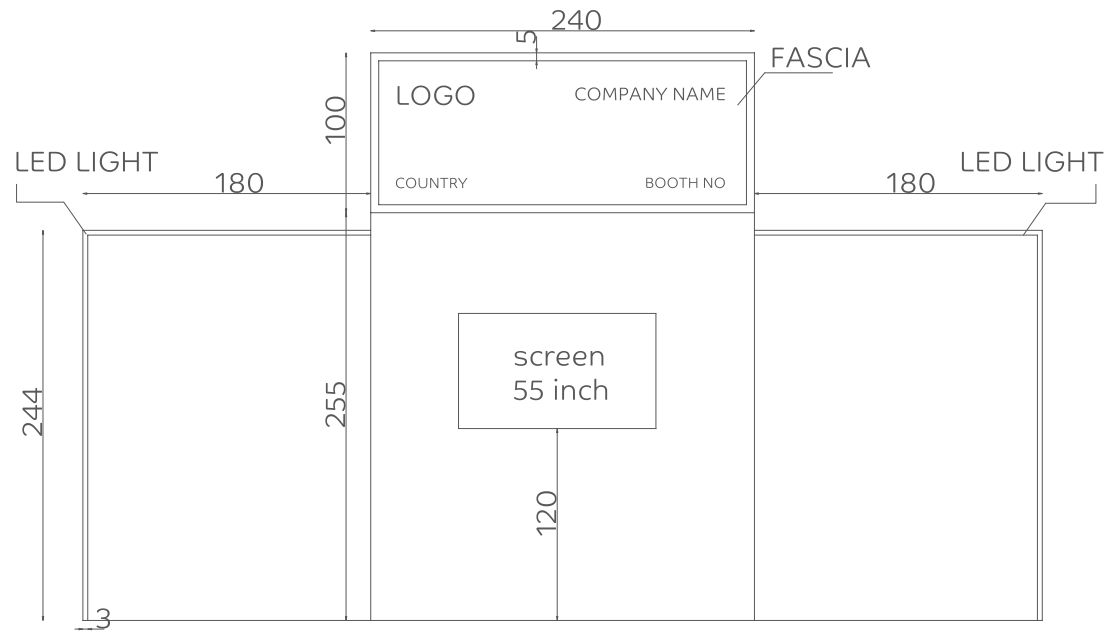


ELECTRICAL SOCKET
1x Electrical Socket
(16 amps/single phase)

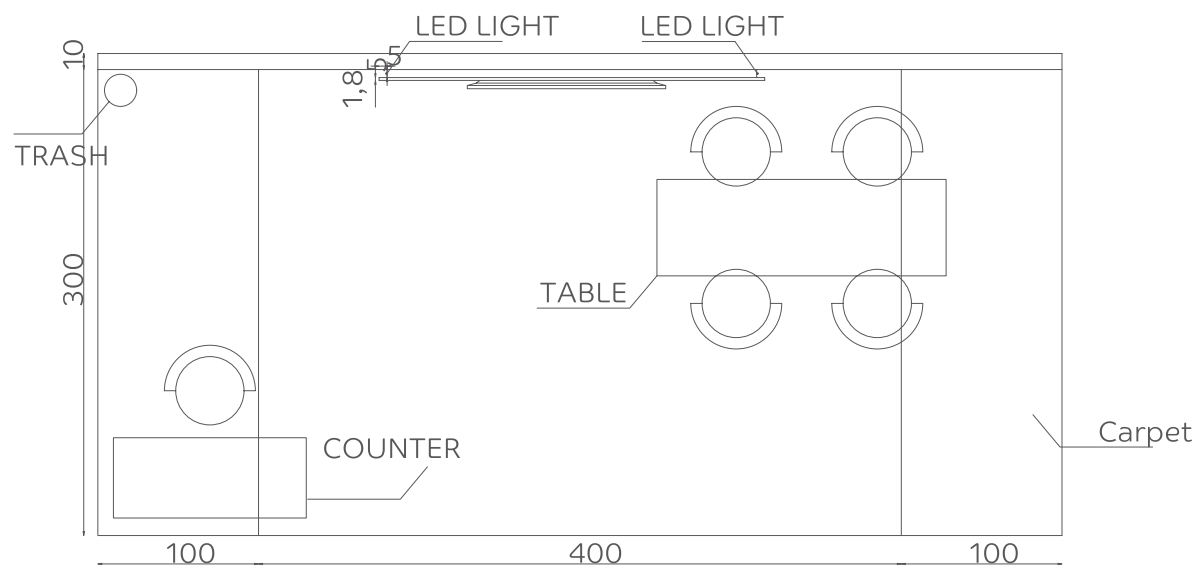


CATEGORY F/2 MODULAR DESIGN

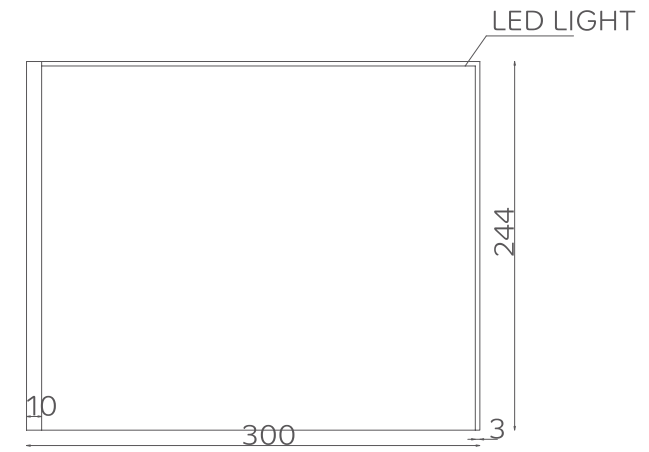
MODULAR DESIGN 6X3



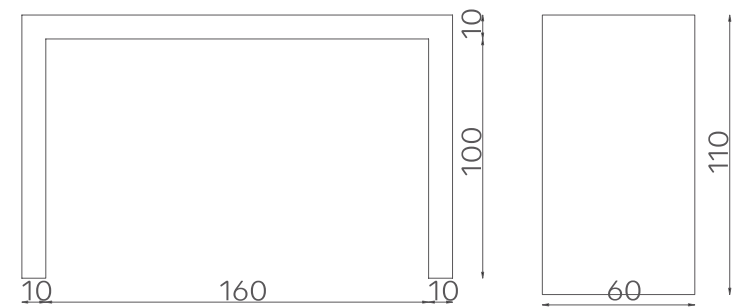
FRONT END



TOP VIEW



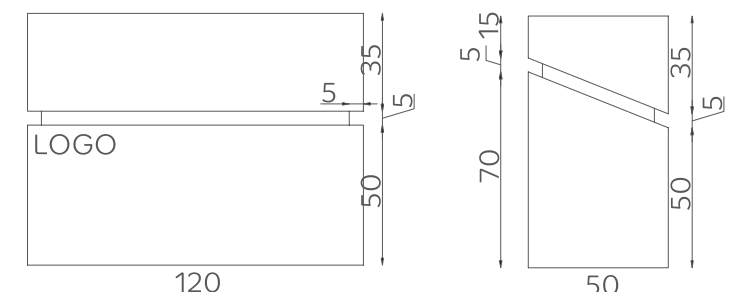
SIDE INTERFACE



FRONT ELEV

LEFT ELEV

TABLE



FRONT ELEV

LEFT ELEV

COUNTER

DESIGN SPECIFICATIONS

CATEGORY F/3: 6X3 SQM



SPACE
6x3 SQM



WALL
1x Back Wall
2x Side Wall



AV EQUIPMENT
1x LED Screen 55"



FLOORING
Beige and Brown Carpet



FURNITURE
1x Closed Counter Desk
1x Bar Table | 1x Trash Bin
5x Bar Stools



LIGHTING
Spotlights



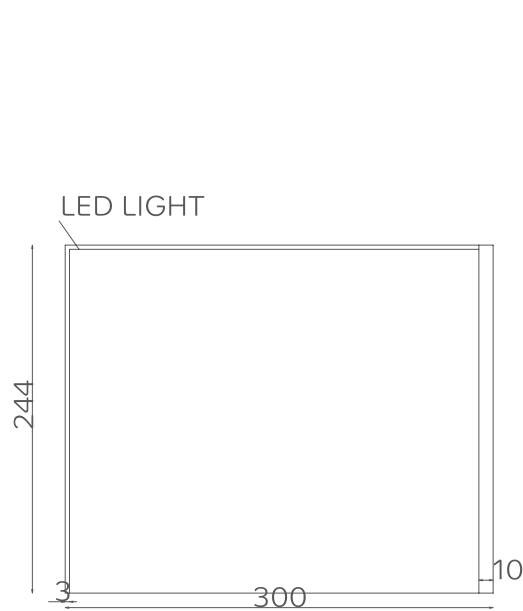
FASCIA
Lightbox



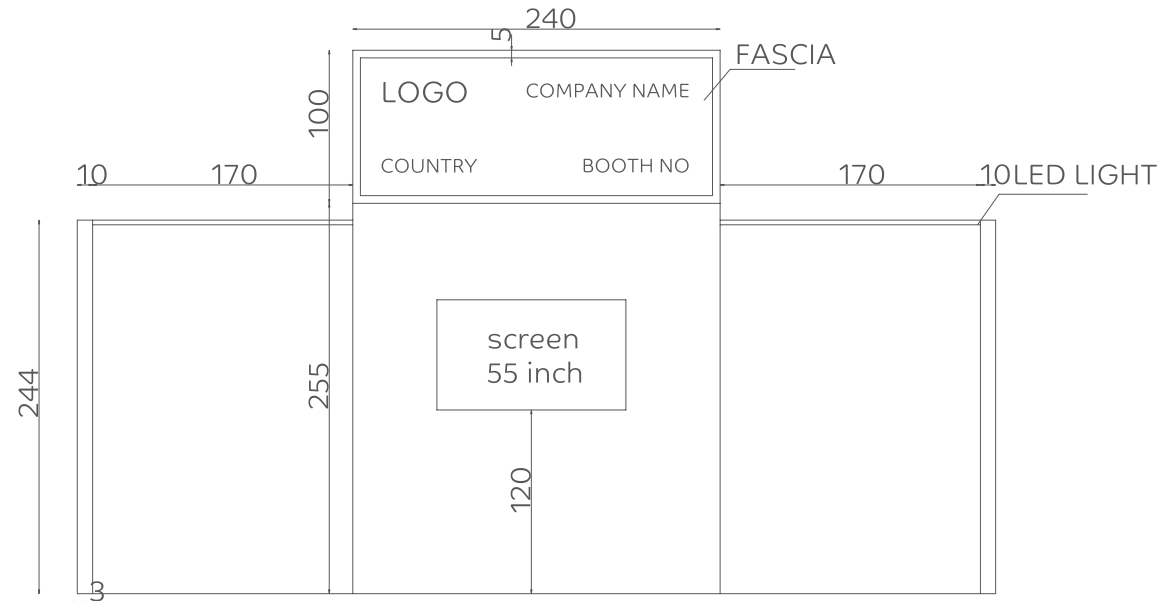
ELECTRICAL SOCKET
1x Electrical Socket
(16 amps/single phase)

CATEGORY F/3 MODULAR DESIGN

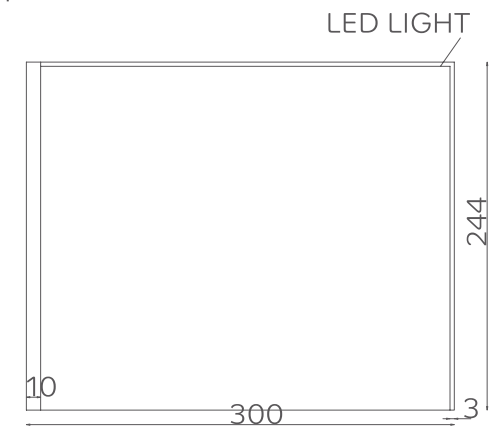
MODULAR DESIGN 6X3



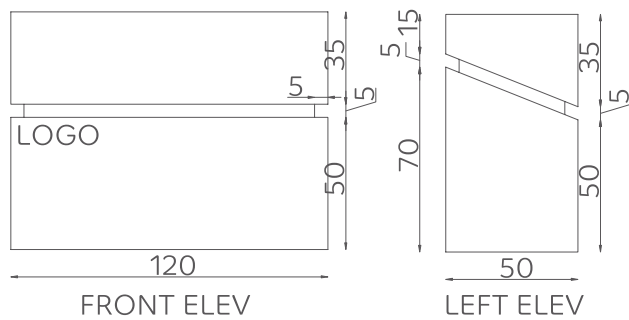
SIDE INTERFACE



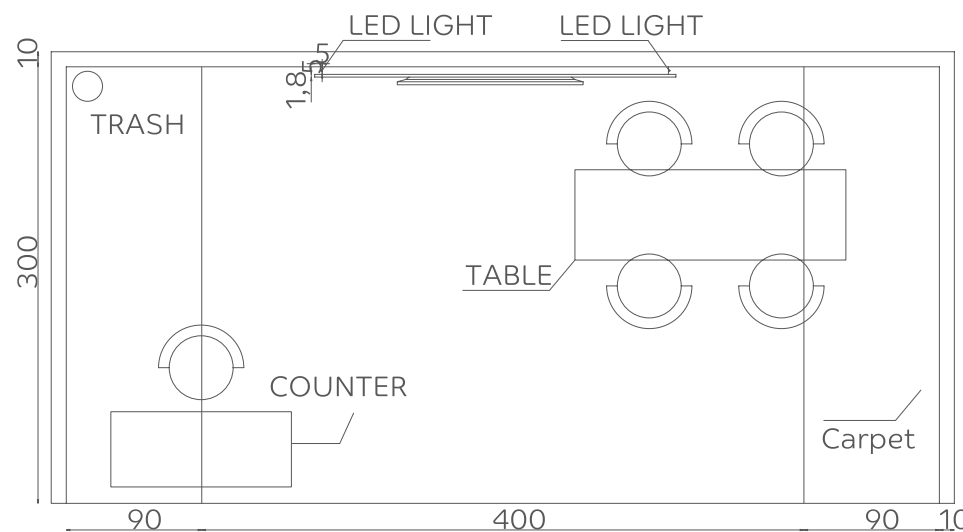
FRONT END



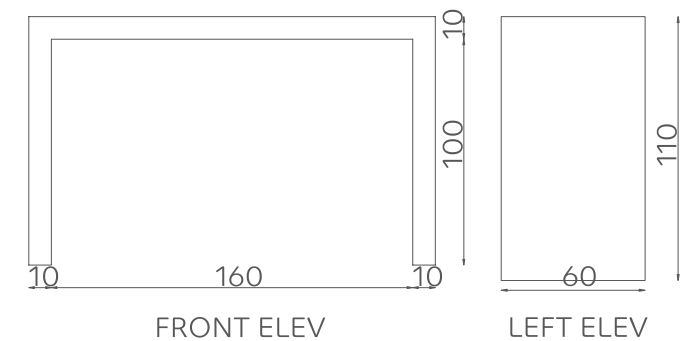
SIDE INTERFACE



COUNTER



TOP VIEW



TABLE

DESIGN SPECIFICATIONS

CATEGORY G: 4X3 SQM



SPACE
4x3 SQM



WALLS
1x Back Wall
1x Side Wall



FLOORING
Brown Carpet



FURNITURE
1x Closed Counter Desk
1x Bar Stools | 1x Round Table
3x Chairs | 1x Trash Bin



LIGHTING
Spotlights



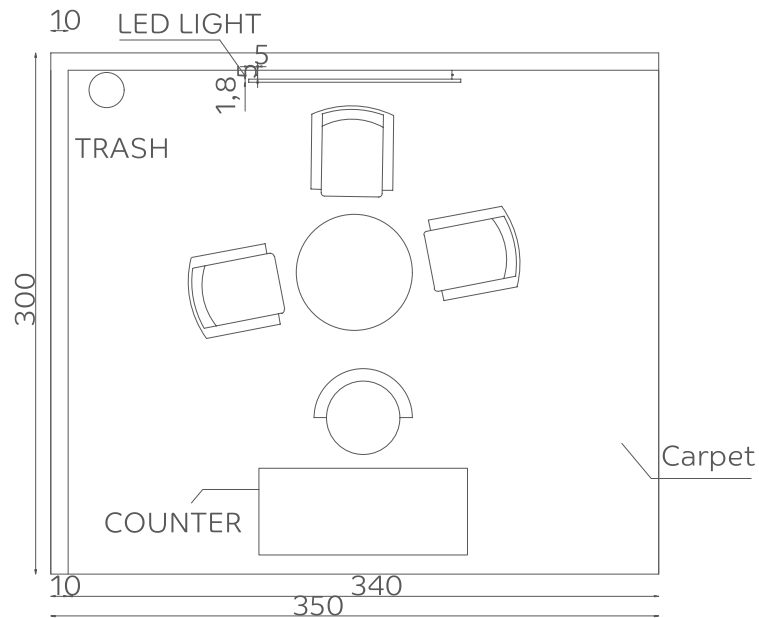
FASCIA
Lightbox



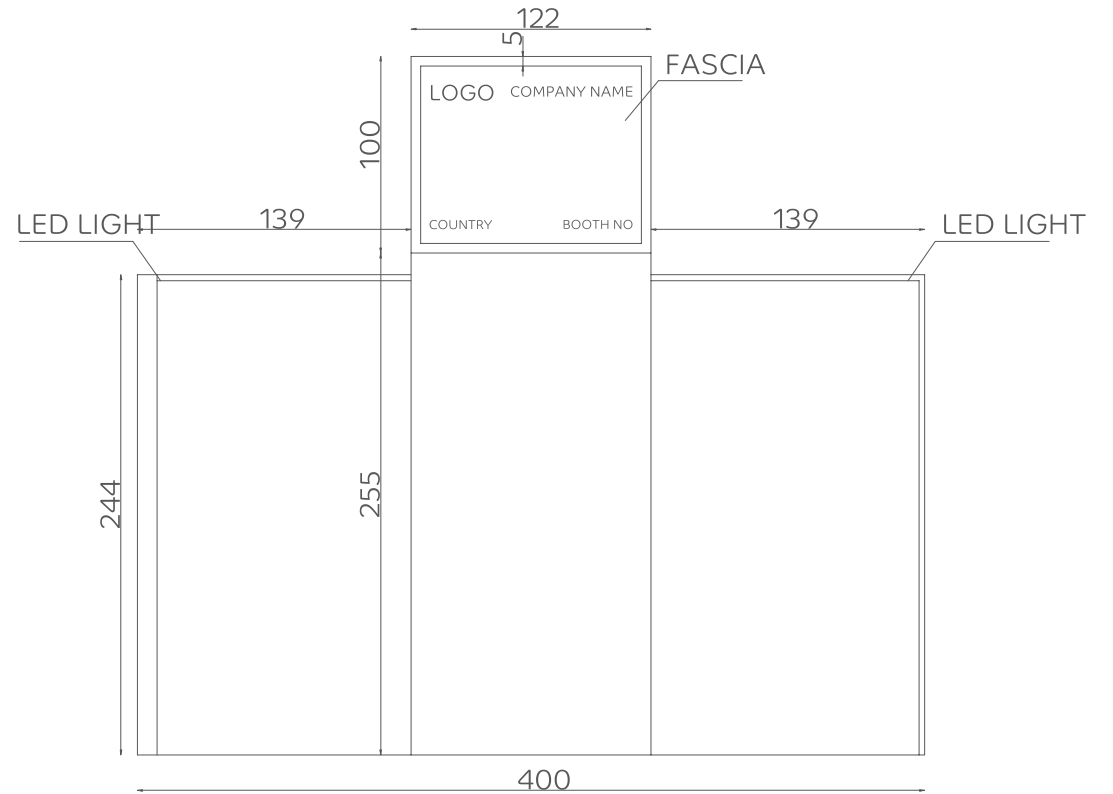
ELECTRICAL SOCKET
1x Electrical Socket
(16 amps/single phase)

CATEGORY G MODULAR DESIGN

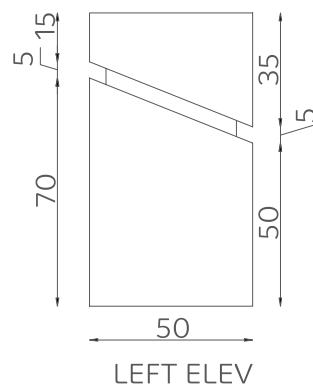
MODULAR DESIGN 4X3



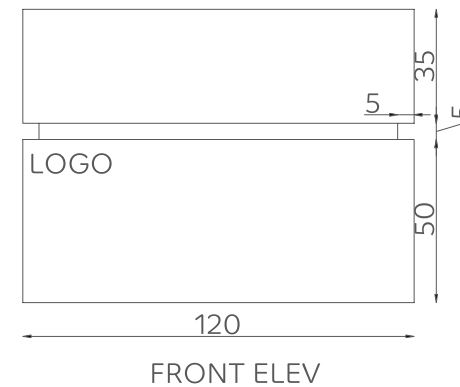
TOP VIEW



FRONT END



LEFT ELEV



FRONT ELEV

COUNTER

DESIGN SPECIFICATIONS

CATEGORY H: 3X3 SQM



SPACE
3x3 SQM



WALL
1x Back Wall



FLOORING
Brown Carpet



FURNITURE
1x Closed Counter Desk
1x Bar Stools | 1x Round Table
3x Chairs | 1x Trash Bin



LIGHTING
Spotlights



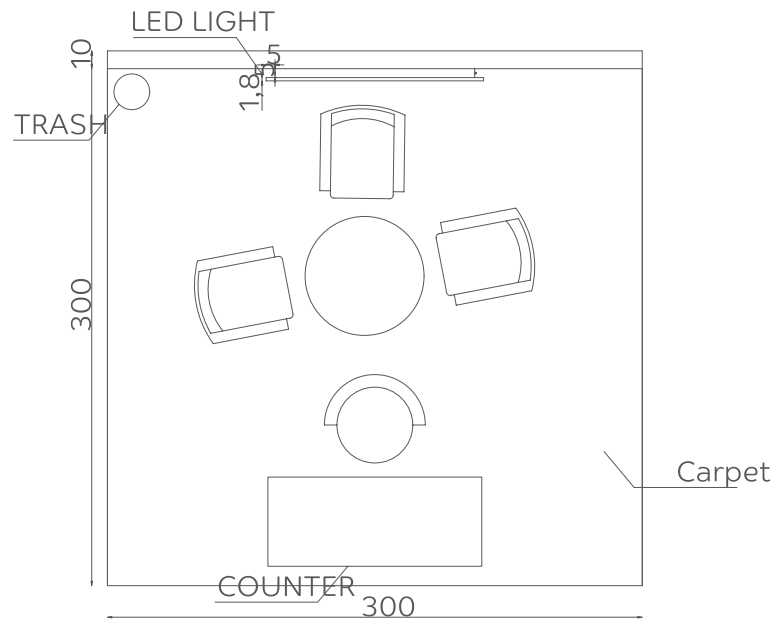
FASCIA
Lightbox



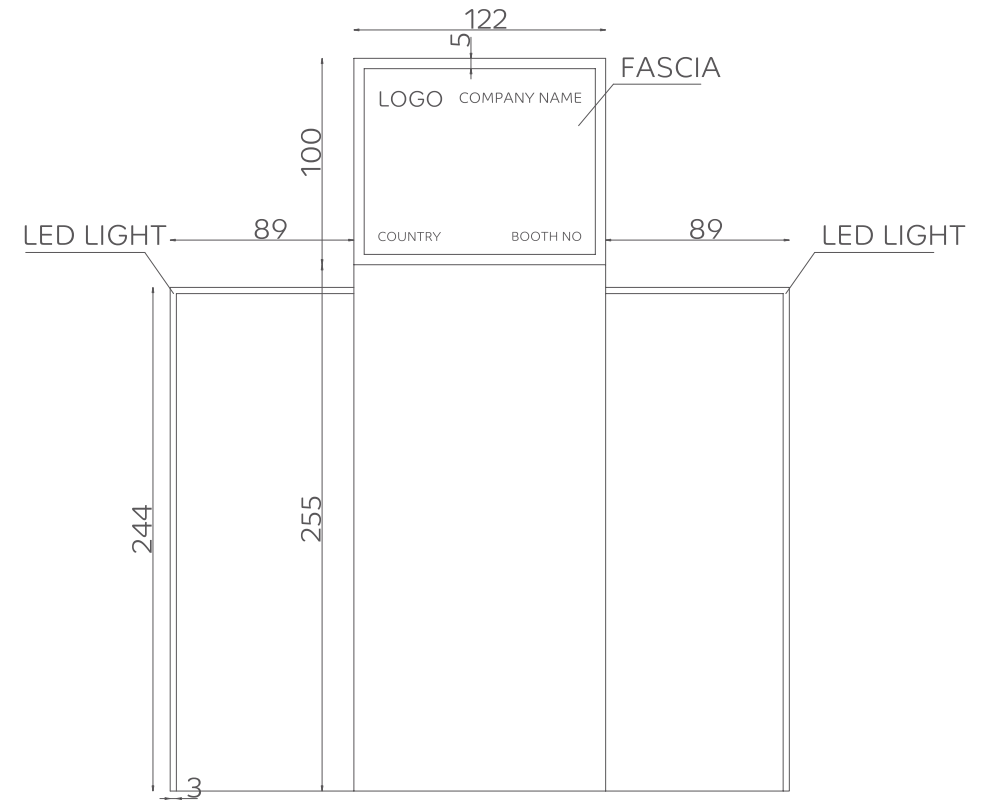
ELECTRICAL SOCKET
1x Electrical Socket
(16 amps/single phase)

CATEGORY H MODULAR DESIGN

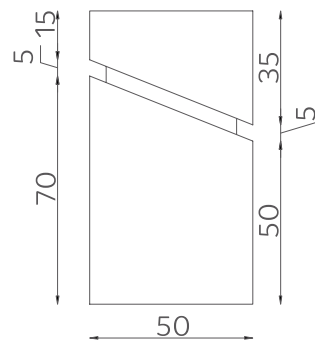
MODULAR DESIGN 3X3



TOP VIEW



FRONT END



LEFT ELEV



FRONT ELEV

COUNTER

DESIGN SPECIFICATIONS

HEAVY OUTDOOR MACHINERY



SPACE
3x3 SQM



BANNER WALL
1x Back Wall Banner



CEILING
Fabric-Covered Structure



FLOORING
White Melamine Platform



FURNITURE
1x Counter | 1x Round Table
1x Bar Stool | 1x Trash Bin
3x Chairs



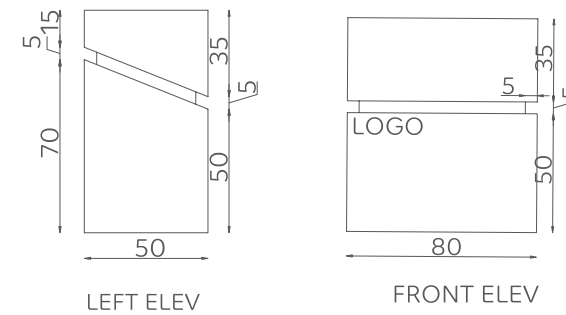
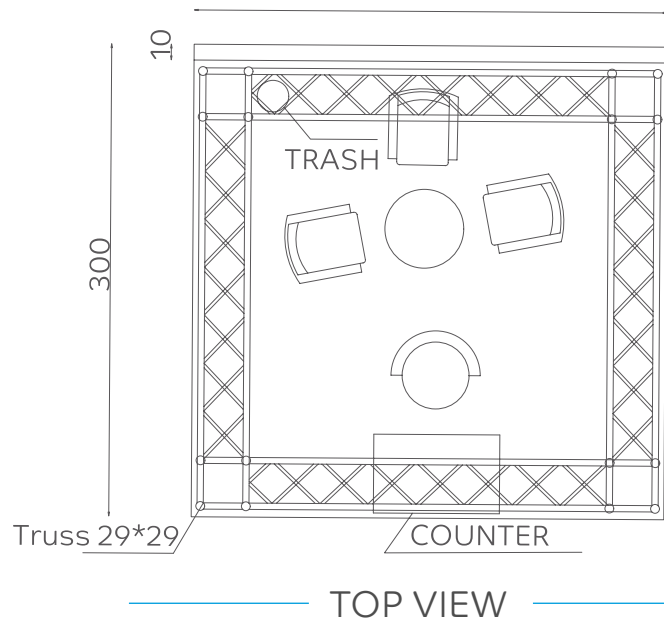
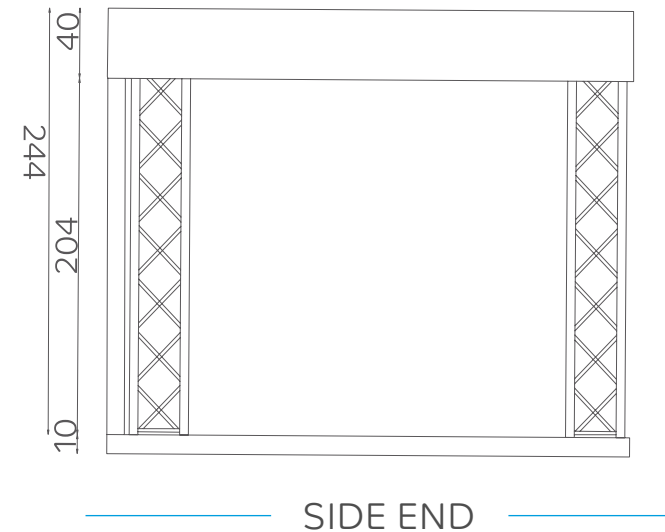
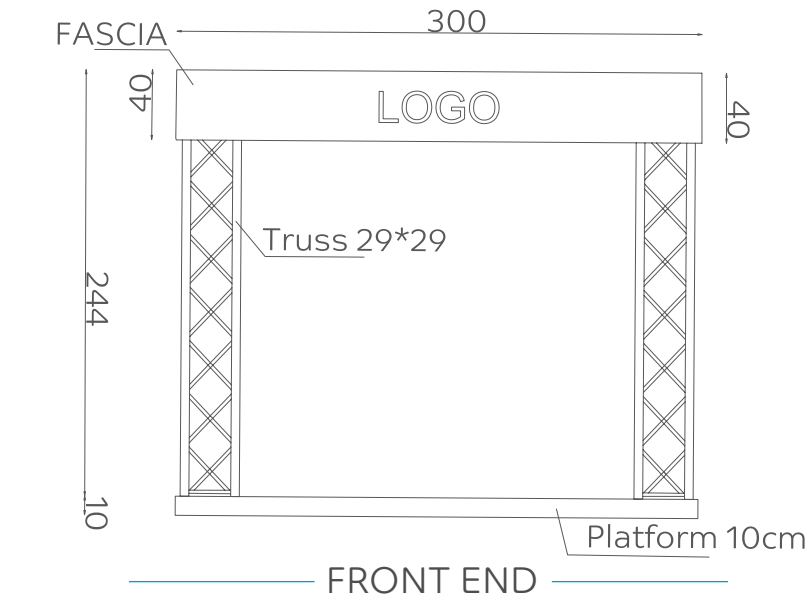
FASCIA
Die-Cut Sticker



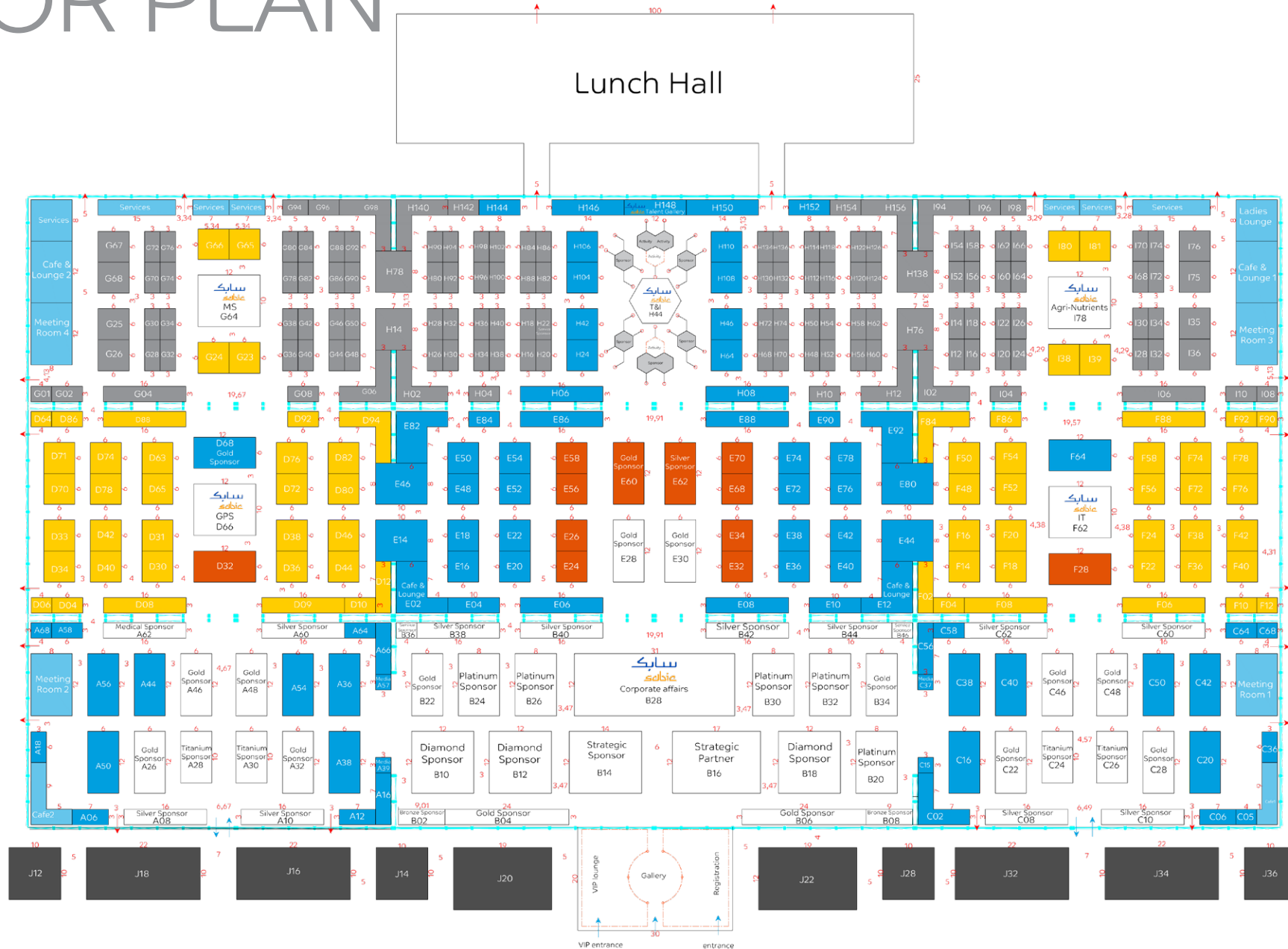
ELECTRICAL SOCKET
1x Electrical Socket
(16 amps/single phase)

HEAVY OUTDOOR MACHINERY LAYOUT

MODULAR DESIGN 3X3



FLOOR PLAN



PARTICIPATION CATEGORIES

- Sponsors
- A+ Class
- A Class
- B Class
- C Class
- Outdoor Machinery
- Smart Zone

READY TO ENGAGE?

STEPS FOR PARTICIPATION



STEP 1

Choose your category through our website



STEP 2

Complete the participation form



STEP 3

Sign the contract



STEP 4

Transfer the payment



[Scan for Participation Form](#)

CONTACT US

REACH OUT TODAY TO EXPLORE A WORLD OF PETROCHEMICAL POSSIBILITIES!

Fill out the form here

[For Sponsorship Opportunities](#)

Phone: +966 (0) 565 644 286

Email: contact@stm25.com



Fill out the form here

[For Regular Participation](#)

Phone: +966 (0) 565 644 196

Email: contact@stm25.com



Scan the QR code to access the registration forms.

Exhibition Organized by



Jubail Industrial City, Saudi Arabia



26th - 30th January 2025



www.stm25.com



contact@stm25.com